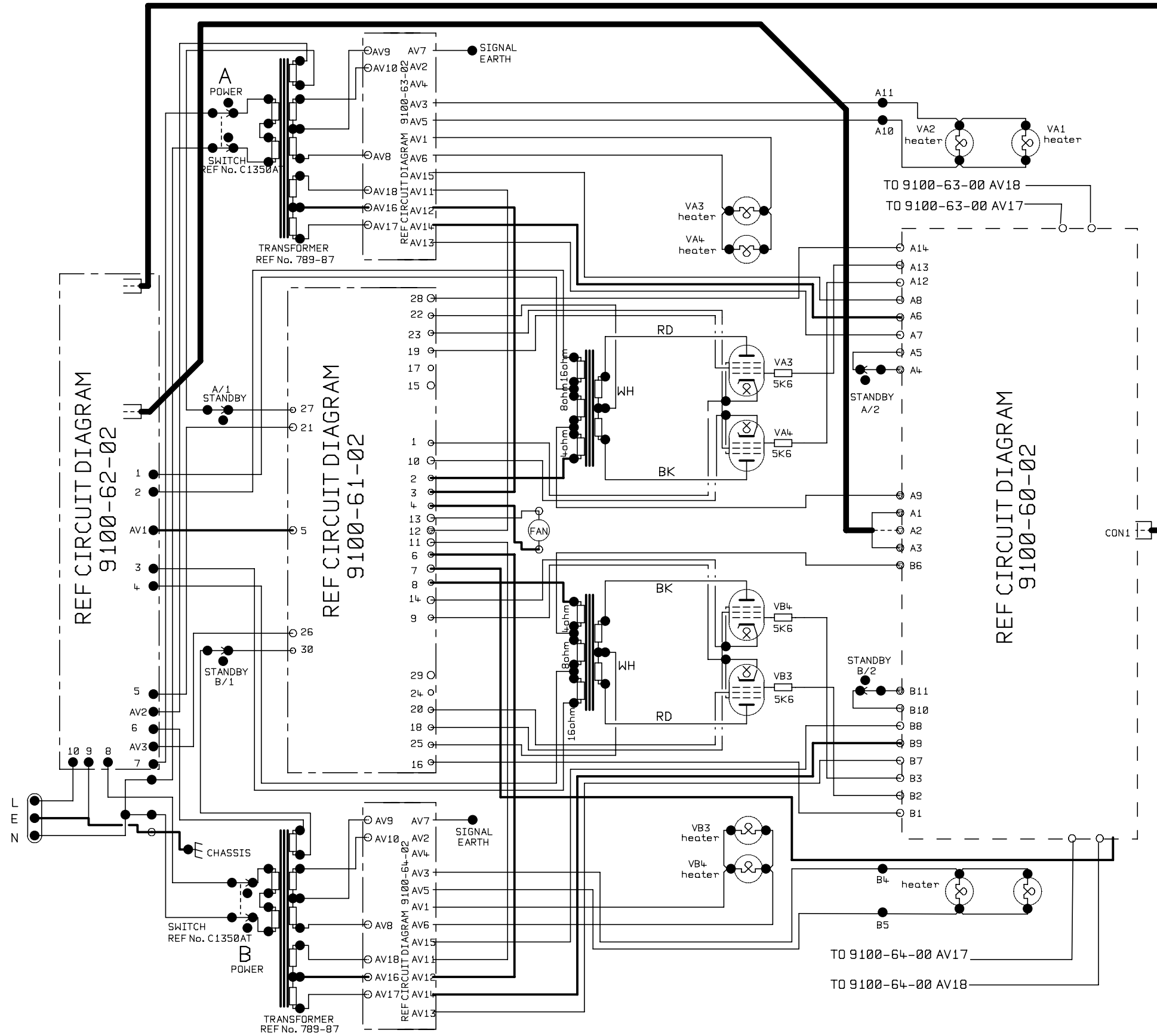
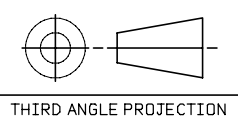


DWG.No. 9100-65-02



ISS	ECO NUMBER	DATE	A	B	C	D	E	F	G	H
5	0725	27-10-94								
4	0606	20-4-94								
3	0502	16-12-93								

UNSPECIFIED HOLE DATA	
A	H
B	J
C	K
D	L
E	M
F	N
G	P

MATERIAL	
MATERIAL THICKNESS	
INTERNAL BEND RADIUS	
EXTERNAL B/A	
BEND DIE	
DRAWN A.G.	DATE 13-9-93
CHECKED	DATE
APPROVED	DATE

DIMENSIONS IN	
TOLERANCE (UNLESS OTHERWISE STATED)	
DIMENSIONAL	
CENTRES	
ANGULAR	
MODEL	9100

*Marshall*

COPYRIGHT EXISTS ON THIS DOCUMENT. IT MUST NOT BE USED FOR ANY PURPOSE THAN THAT FOR WHICH IT IS SUPPLIED AND MUST NOT BE COPIED (IN WHOLE OR IN PART) WITHOUT WRITTEN PERMISSION FROM MARSHALL AMPLIFICATION PLC. DENBIGH ROAD, BLETCHLEY, MILTON KEYNES, MK1 1DQ. TEL: (0908) 375411 FAX: (0908) 376118

TITLE	
9100/9200 CCT DIAG	
DWG.No	ISSUE
9100-65-02	5